

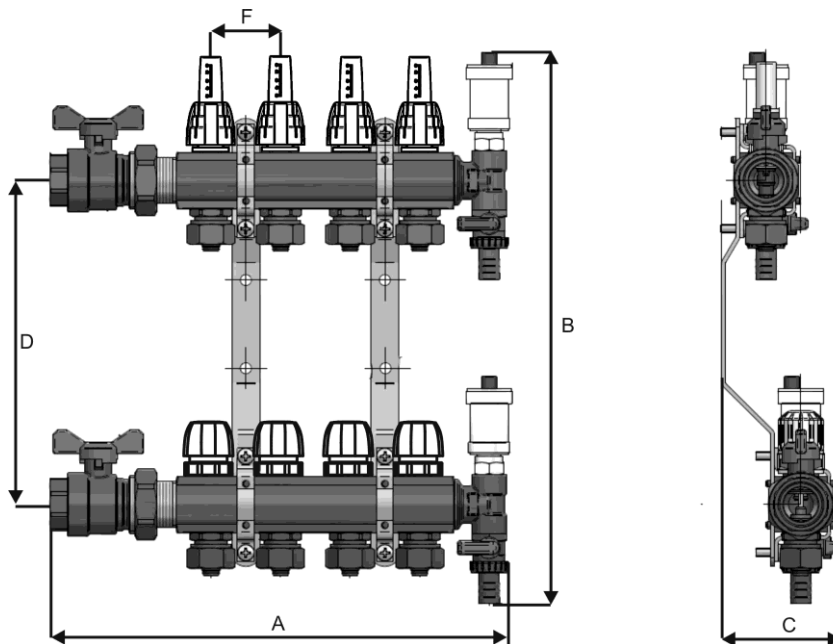
Manifolds for surface heating systems are composed of:

- 1a. 1" In-flow strip
- 1b. 1" Return strip
- 2. 3/4" Nipples
- 3. Manifold handles
- 4a. Control valves with flow meters
- 5. Temperature control valves (Temperature control valve is designed for installation (10) of M30x1.5 electrical motor)

Manifold components:

- 7. 1" ball valves with half union (angle valves (a) and straight-run valves (b))
- 7. Terminal T-connections provided with drain valves and automatic or manual air vents with an optional thermometer, depending on the version; alternatively, OPTIMUM manifolds can be provided with a 1" end cap (9)
- 8. 16x2 Eurokonus fittings, or alternatively, 3/4" nipple in OPTIMUM manifolds for DIY installation of Eurokonus fittings of any diameter. We offer also Eurokonus fittings with the following diameters: 16x1.5, 17x2, 18x2, 20x2.

4. Dimensions



model	Brass manifolds							Stainless steel manifolds								
	code	number of sections	Dimensions (mm)					code	number of sections	Dimensions (mm)						
			A	B	C	D	E			F	A	B	C	D	E	F
PREMIUM 1	9-3650-002-91-22-13	2	232	400	87	235	64	50	9-3950-002-91-24-12	2	226	400	87	235	64	50
	9-3650-003-91-22-13	3	282	400	87	235	64	50	9-3950-003-91-24-12	3	276	400	87	235	64	50
	9-3650-004-91-22-13	4	332	400	87	235	64	50	9-3950-004-91-24-12	4	326	400	87	235	64	50
	9-3650-005-91-22-13	5	382	400	87	235	64	50	9-3950-005-91-24-12	5	376	400	87	235	64	50
	9-3650-006-91-22-13	6	432	400	87	235	64	50	9-3950-006-91-24-12	6	426	400	87	235	64	50
	9-3650-007-91-22-13	7	482	400	87	235	64	50	9-3950-007-91-24-12	7	476	400	87	235	64	50
	9-3650-008-91-22-13	8	532	400	87	235	64	50	9-3950-008-91-24-12	8	526	400	87	235	64	50
	9-3650-009-91-22-13	9	582	400	87	235	64	50	9-3950-009-91-24-12	9	576	400	87	235	64	50
	9-3650-010-91-22-13	10	632	400	87	235	64	50	9-3950-010-91-24-12	10	626	400	87	235	64	50
	9-3650-011-91-22-13	11	682	400	87	235	64	50	9-3950-011-91-24-12	11	676	400	87	235	64	50
	9-3650-012-91-22-13	12	732	400	87	235	64	50	9-3950-012-91-24-12	12	726	400	87	235	64	50

5. Technical parameters and materials

Capricorn surface heating manifolds are designed specifically for use in surface heating systems.

Operating parameters:

- Stainless steel: AISI 304 / 1.4301
- Brass: MO 58
- Maximum operating temperature: 60°C
- Maximum pressure: 6 bar
- Heating agent: water
- Flow-rate coefficient:

Brass manifolds: $5.91 \pm 0.01 \text{ m}^3/\text{h}$ Stainless

steel manifolds: $6.01 \pm 0.01 \text{ m}^3/\text{h}$

Compact Underfloor Heating

Unit 18 -19 Scarva Road Industrial Estate, Banbridge, Co. Down BT32 3QD

www.alternativeheat.co.uk

Email compactunderfloor@alternativeheat.co.uk